



SALLY[®]

**PREFABRICATED KITCHEN
& BATHROOM PODS**

CATALOGUE 2023

“

**MODULAR
CONSTRUCTION
OFFERS A MIX OF
BENEFITS, FROM A
SHORTENED
CONSTRUCTION
SCHEDULE AND HIGHER
EFFICIENCY TO MORE
CONTROLLABLE QUALITY
AND INCREASED
CONSTRUCTION SAFETY.**

”

— A SENIOR MANAGER OF
ENGINEERING AND MAINTENANCE

THE BENEFITS

Modular construction can speed construction by as much as

50%

In the right environment and trade-offs, it can cut costs by

20%



SPEED



SIMPLE



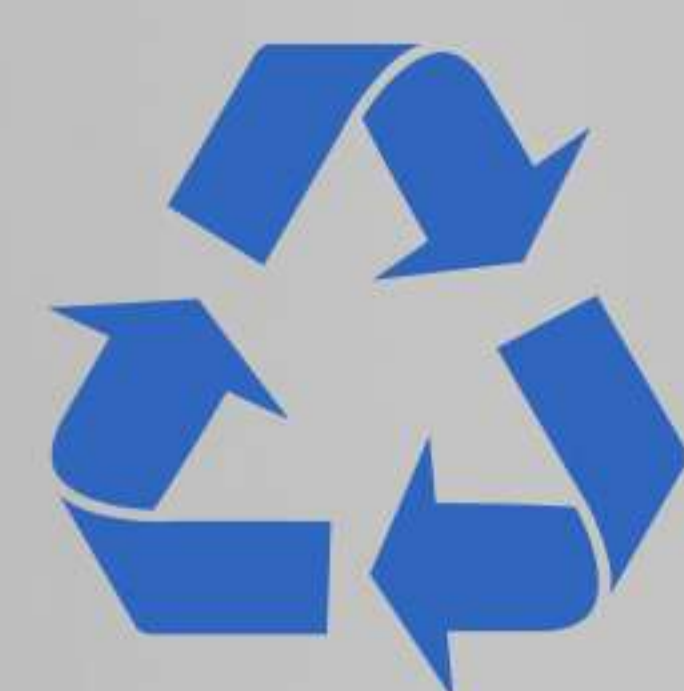
QUALITY



CUSTOMIZABLE



SAFETY



**ENVIRONMENTAL
PROTECTION**

SALLY[®]

PREFABRICATED KITCHEN AND BATHROOM SYSTEM SCHEME PROVIDER

Sally Technology Co., Ltd., has been established in 1998.

We are more than just a manufacturer, we are top provider of kitchen and bathroom system solutions.

Our three series of products: SMC, VCM and GRC, which are widely used in residential, hotel, apartments, healthcare facilities, nursing homes and more.



**HIGH-TECH
ENTERPRISE**



**14 NATIONAL
PATENTS**



9001

**STANDARD SETTER OF
PREFABRICATED BUILDING
INTERIOR DECORATION**



**PREFABRICATED BUILDING
INDUSTRYBASE OF
GUANGDONG PROVINCE**

THREE FACTORIES AND ADEQUATE PRODUCTIVITY



MAIN PRODUCTION BASE IN ZHONGSHAN

AREA: 40000m²

CAPACITY: 3,000 SETS/YEAR



SECOND PRODUCTION BASE IN ZHONGSHAN

AREA: 12508m²

CAPACITY: 2,000 SETS/YEAR



PRODUCTION BASE IN HUBEI PROVINCE

AREA: 45000m²

CAPACITY: 8,000 SETS/YEAR

INTELLIGENT EQUIPMENT



INDUSTRIAL ROBOT



AUTOMATIC PROFILE COLD ROLLING MACHINE



4-AXIS ABRASIVE WATERJET CNC CUTTING MACHINE



AUTOMATIC CERAMIC TILE MACHINE



AUTOMATIC GLUING MACHINE

WHY CHOOSE SALLY

WE HAVE A TEAM OF PROFESSIONAL DESIGNERS FOCUSING ON BATHROOM PODS



**RELIABLE
STRUCTURE**

**REASONABLE
SPACE**

**COMFORTABLE
FUNCTION**

**SAFETY AND
ENVIRONMENTAL
PROTECTION**

CUSTOMER SUPPORT TEAM

SIMPLE CUSTOMIZATION PROCESSES

1. Requirements gathering and product positioning
2. Communication Between Designers and Engineers to confirm the design scheme, installation scheme and materials
3. The production and installation of sample
4. Mass manufacturing, installation, transportation

PROFESSIONAL AFTER - SALES SERVICE



24 hours online

(Timely response to customer's demand for accessories)



Installation and User Guide

GLOBAL BRANCHES

CHINA

Guangdong: Nanlang Industrial Park, Nanlang Town, Zhongshan City.

Hong Kong: UNIT 04,7/F, brightway tower No33 Mong Kok Road, Kowloon, HK

OVERSEA

UK: Unit 16 crystal drive sandwell business park smethwick west midlands b66 1qg

Australia: 2/48 Kitchen Road, Dandenong South, VIC 3175

USA: care of 41 Logistics Blvd, Suite A-2, Walton, KY 41094

Germany: Kleinhülsen 6,8,10 40721, Hilden

France: 23rue des freres lumieres, chassieu



PROJECT CASES

STANDARDIZATION, HIGH QUALITY



SUNAC CENTER
SHIJIAZHUANG



DAYA BAY CENTURY
HOTEL HUIZHOU



HONGCHENG INTERNATIONAL
SHIJIAZHUANG



SPRING HOTEL
GUANGZHOU



HIGH-TECH PEARL
LIUZHOU



CABIN KITS GALORE
(AUSTRALIA)



HUAZHAO DONGNAN GREEN BUILDING
INTEGRATION YUNCHENG



CHINESE ACADEMY OF
SCIENCES EDUCATION BASE

STRATEGIC CUSTOMERS WITH IN-DEPTH COOPERATION



MASCO



vanke



Longfor

Jinke

RSUN



DONG
YUAN

PRODUCT CENTER — GRC TILE

**LIGHT WEIGHT AND HIGH STRENGTH,
SAFE PERIOD OF USE IS UP TO 40 YEARS.**

8mm thickness standard GRC board, the compressive strength exceeds 40Mpa, anti - bending strength exceeds 34Mpa, far beyond international standards.

Replacing partition, saving interior spacing

The wall board has keel which is robust and reliable, can be used as partition, direction installed the cover board, saving material and interior spacing.

The floor is solid same as traditional construction floor

Utilizing GRC as main structure material, ceramic tile, waterproof layer and bonding layer forming demoulding into one, can make the overall appearance and feeling of stepping on the floor same as traditional bathroom.

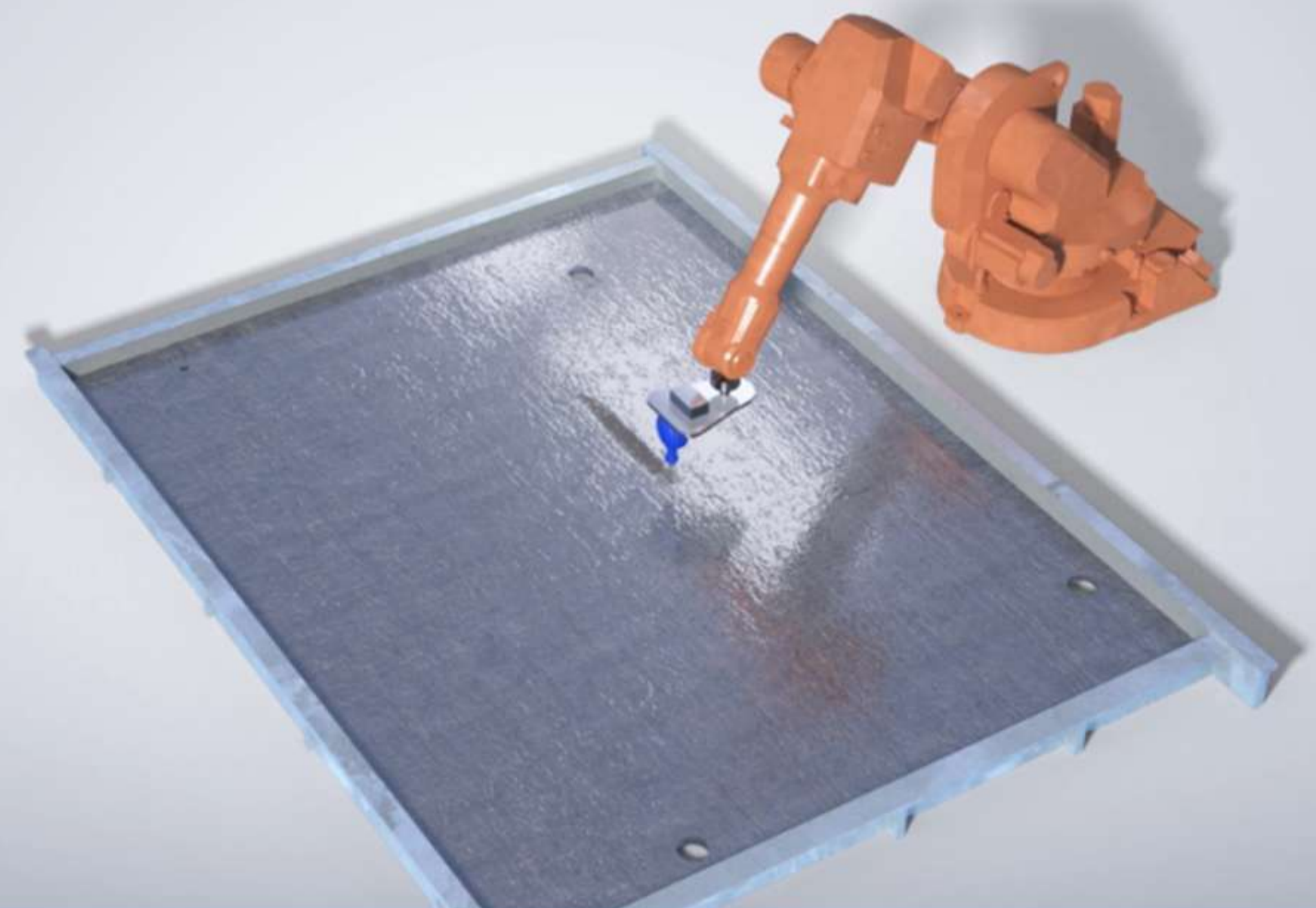


COMPLETE ASSEMBLED UNIT CRANING ONSITE



GRC complete assembled unit craning onsite saving labor cost, meet different transportation and installation request.

Application of 3D printing technology, accurate size, mould is unnecessary.



Ceramic tile smooth and plain, wear-resistant acid and alkali resistance, high strength, good compatibility of cement-based materials, precise pasting, preventing tile fall off.

**APPLICABLE FOR
RESIDENCE,
HOTEL,
SCHOOL**



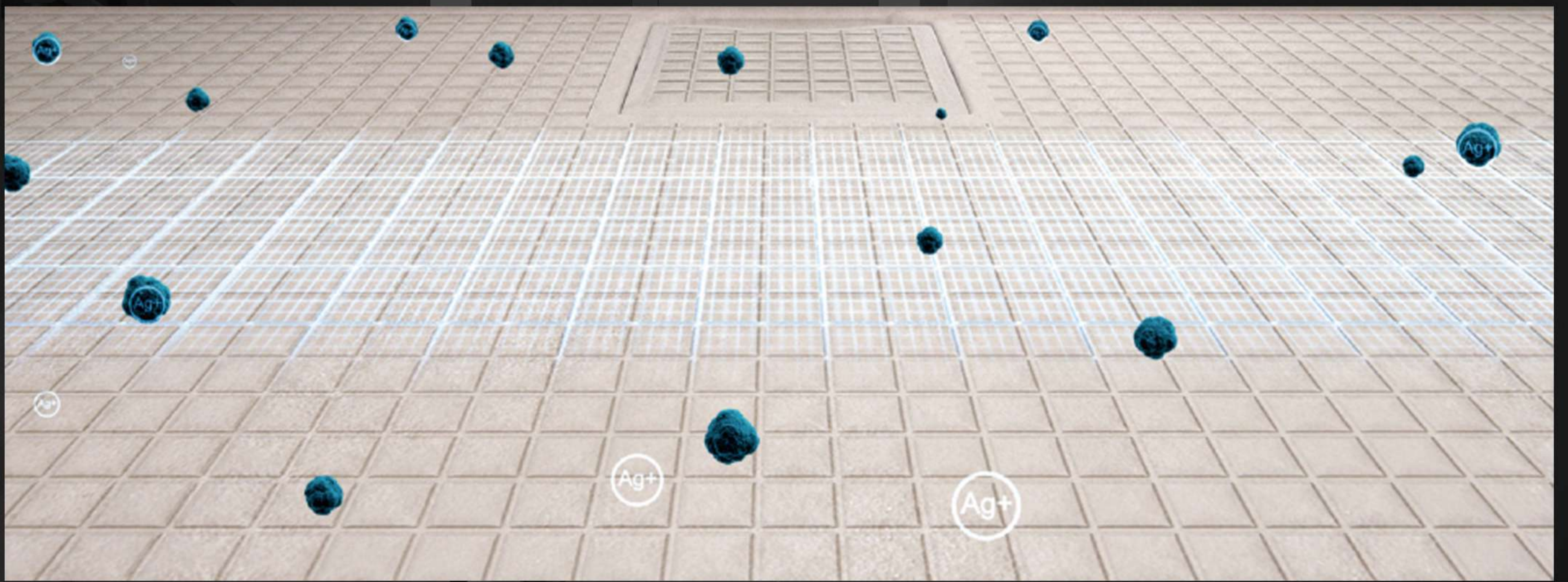
DESIGN SKETCH OF THE SCENE

PRODUCT CENTER

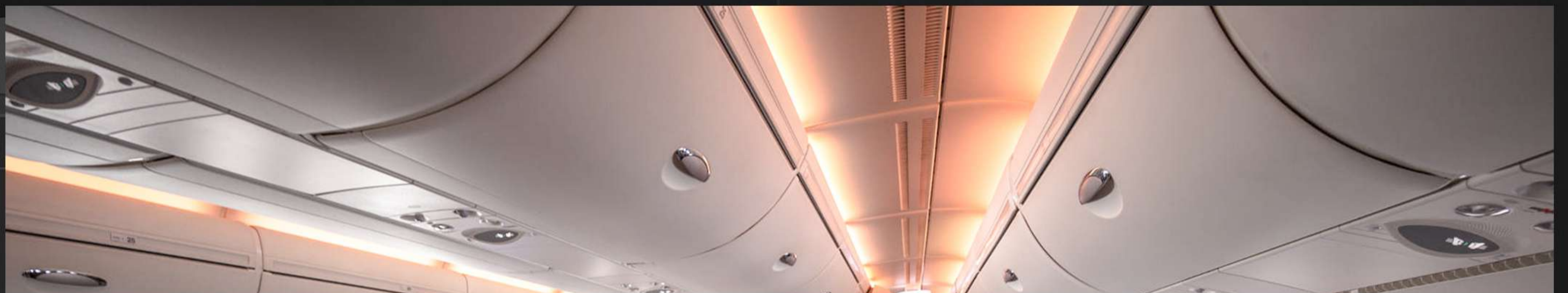
— SMC POLYMER MATERIAL

QUICK DRYING, HYDROPHOBIC TREATMENT

Easy clean: nano coating on the surface of the floor



1. Superhydrophobic coating surface
2. Mosaic pattern water
3. 1.5% drainage slope



- **Safety Assurance**
- **Non-slip**

AERONAUTICAL MATERIALS

LIGHTWEIGHT AND EASY TO INSTALL

SMC materials are commonly used in aircraft cabins and high speed train inner walls.



- High strength
- Anti-aging
- Lightweight
- Convenient installation
- Long life
- Safe insulation

SMC applying on Sally prebricated waterproof floor base, wall board and ceiling.



Wall board - SMC



Floor Base - SMC

APPLICABLE FOR APARTMENTS AND STUDENTS ACCOMMODATION



DESIGN SKETCH OF THE SCENE

PRODUCT CENTER

— VCM HIGH-END SIMULATION LAMINATE

SOUND PROOF SAME AS TRADITIONAL WALL

Rockwool interlayer design
Soundproof

High-end look using texture , Reflect the beauty of real materials
(as wood, grain, marble, cloth. etc)



HIGH-END MATERIAL

VCM is the most popular material in Japan

Environmentally friendly

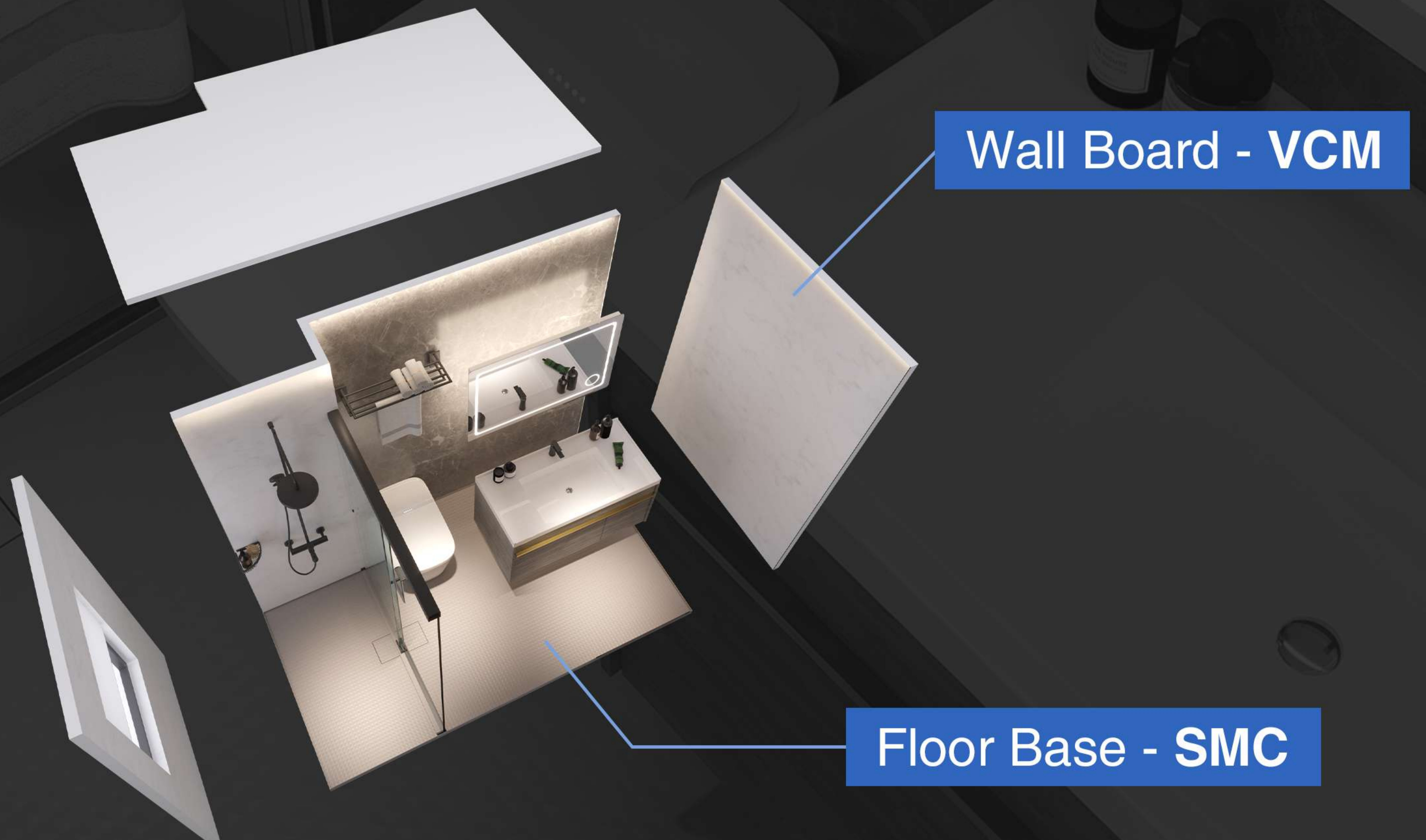
Pollution-free

Rich and natural expressiveness



· Texture

· Luxurious



APPLICABLE FOR HOSPITALS AND NURSING HOMES



DESIGN SKETCH OF THE SCENE

PREFABRICATED KITCHEN

The prefabricated kitchen is composed of wallboards, ceilings and dry-method floor tiles, equipped with various functional kitchen tools to form an independent operation unit.

Full custom-made

Specifications and sizes, materials, cabinets and kitchen ware can be tailor-made as per customer's request.

Outstanding fire-retardant performance

Fire-retardant level of wall upto V0 (the max. level)

Strong hanging ability of wall board

The single nail hanging ability can reach to 80kg, meet the demand of installing wall mounted cabinet and kitchen ventilator.



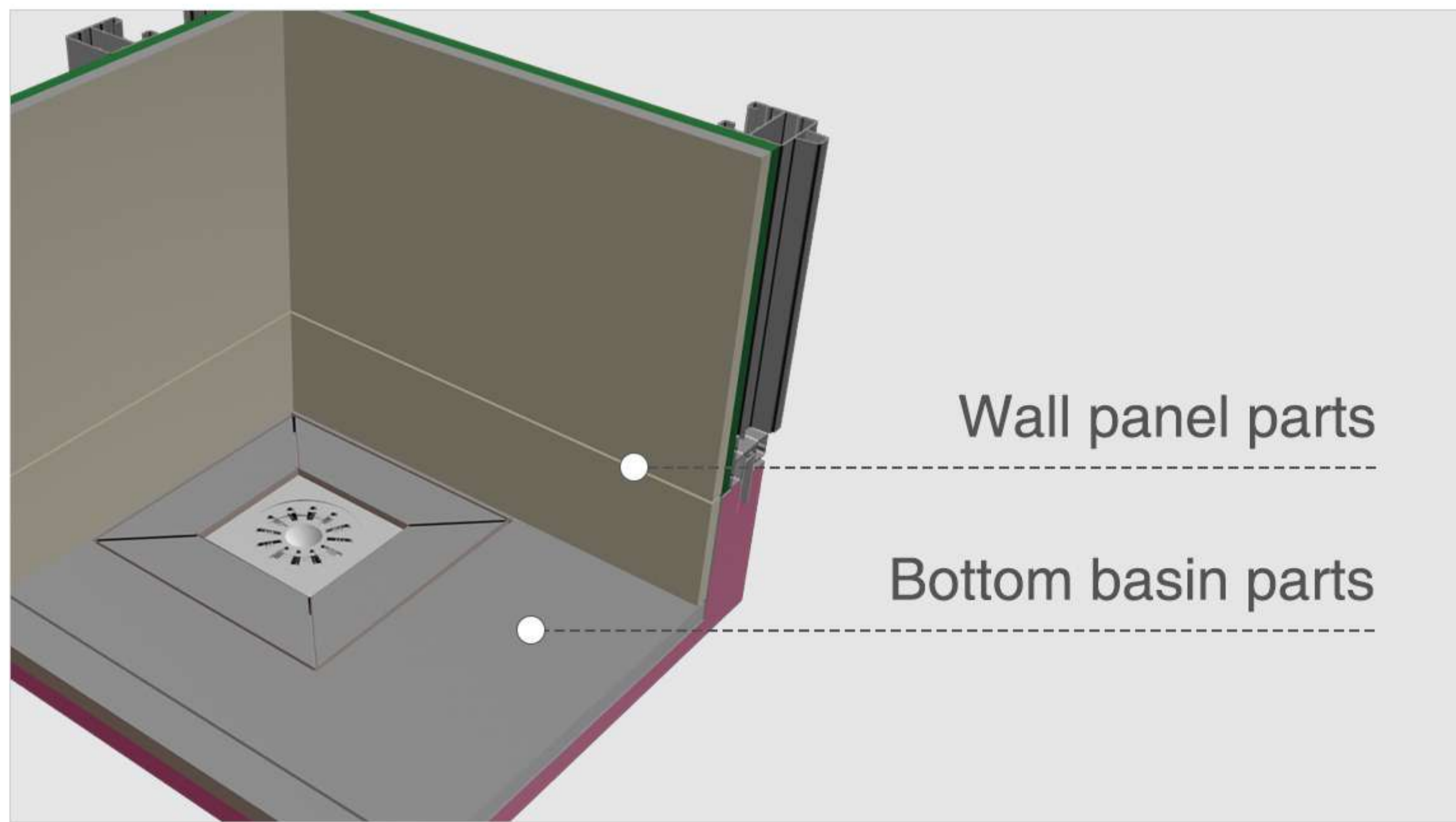
**APPLICABLE FOR
RESIDENTIAL AND
APARTMENT**



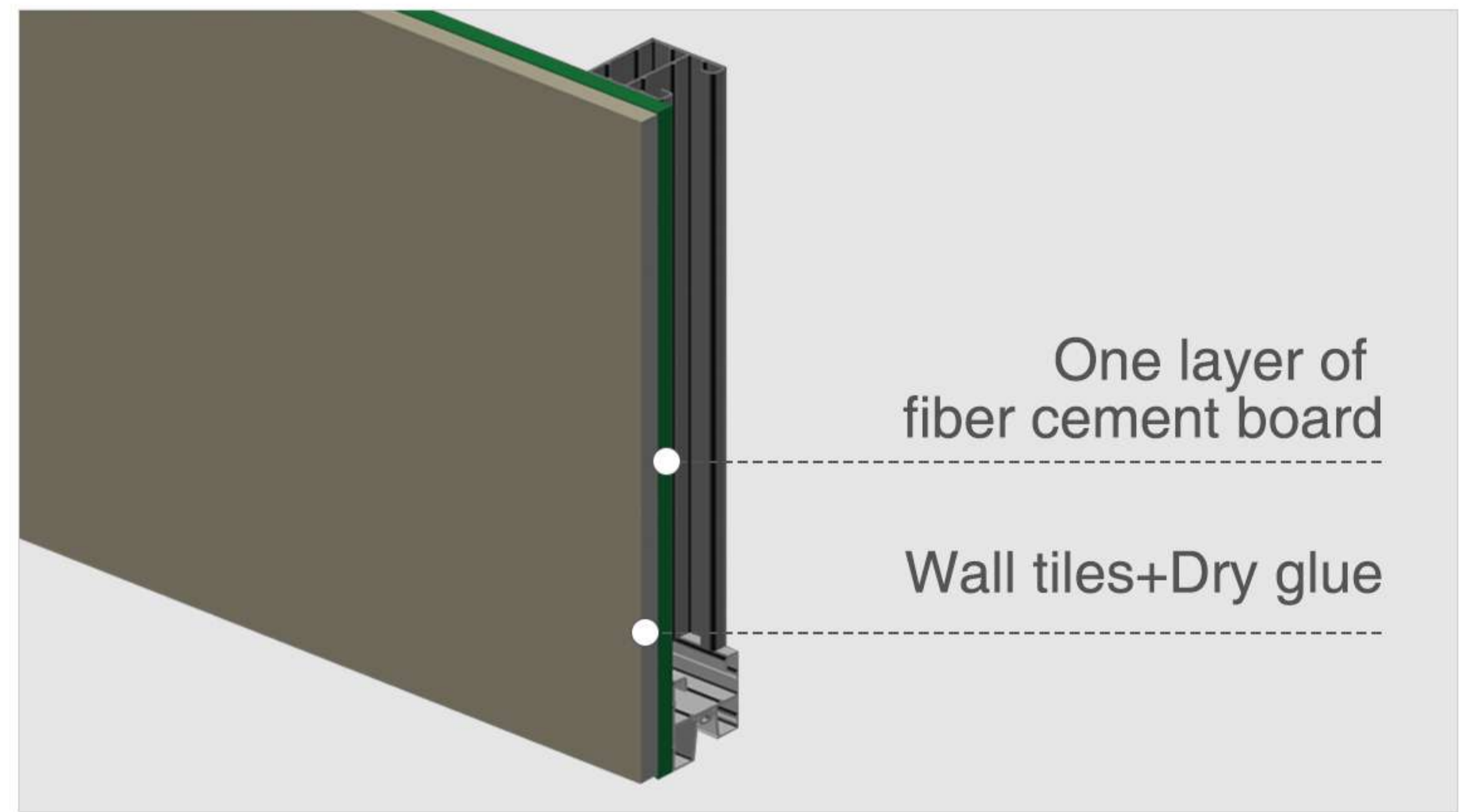
DESIGN SKETCH OF THE SCENE

PRODUCT DESIGN DETAILS

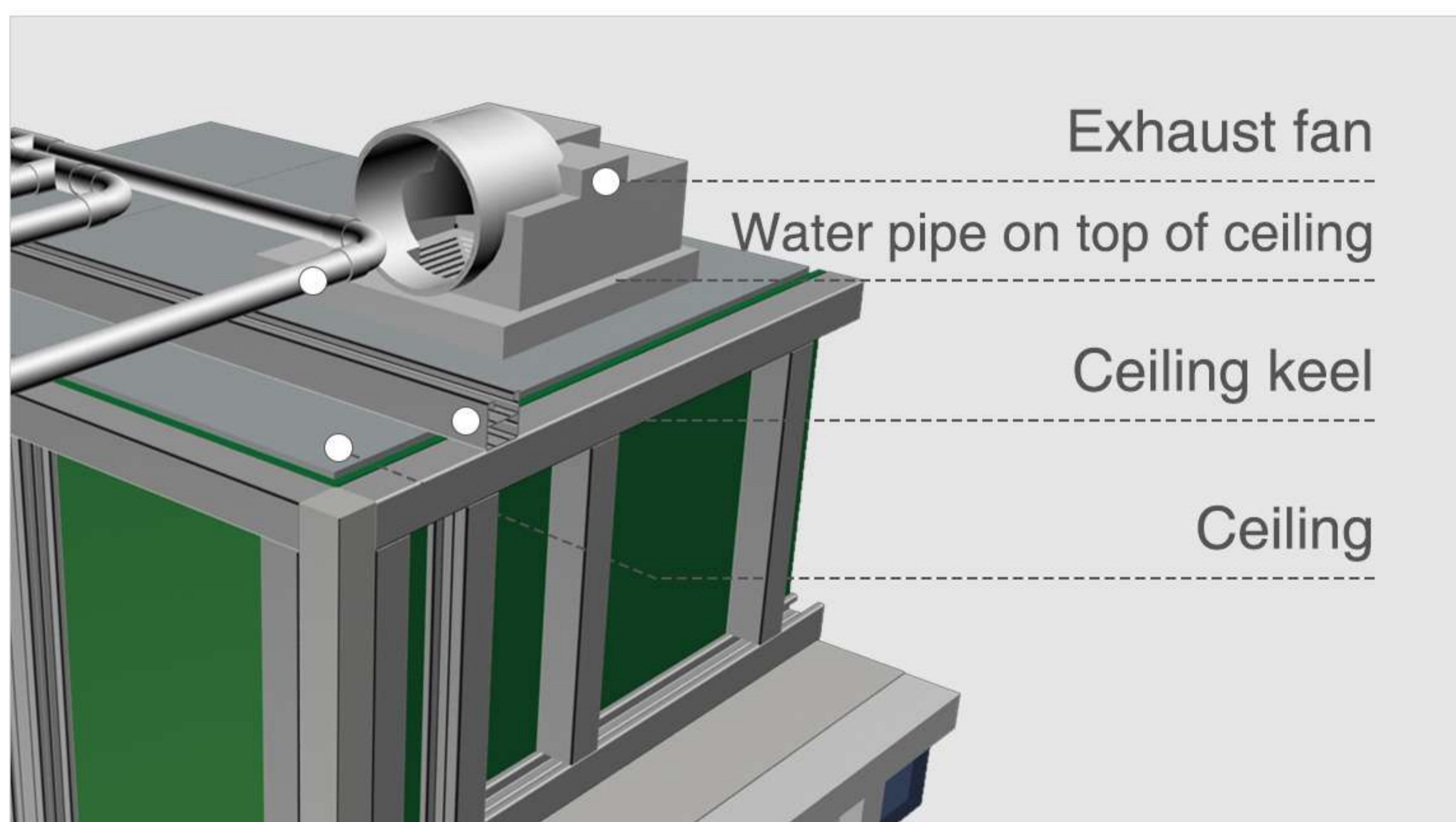
Product structure details-Structure composition



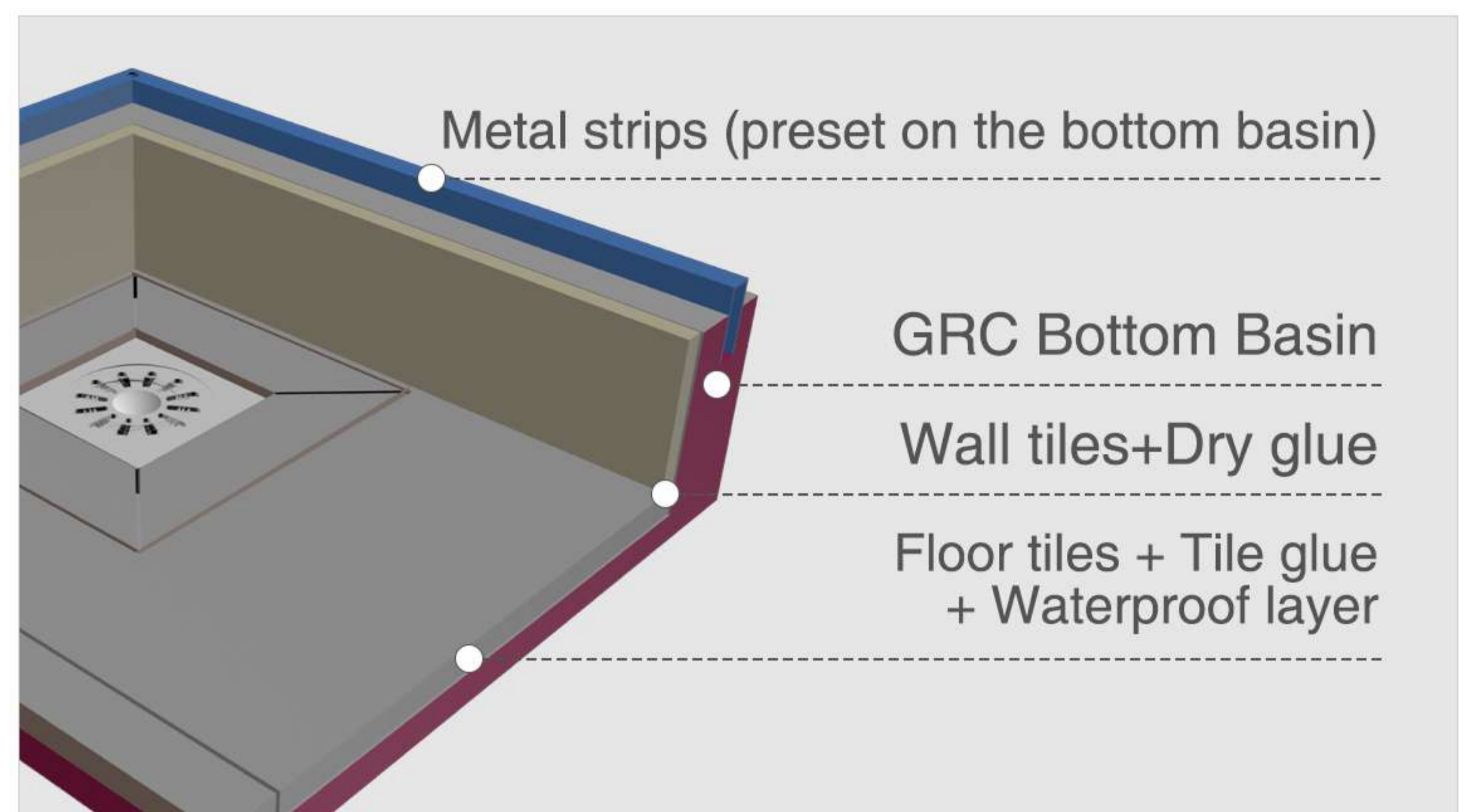
Basin and wall structure



Wall structure

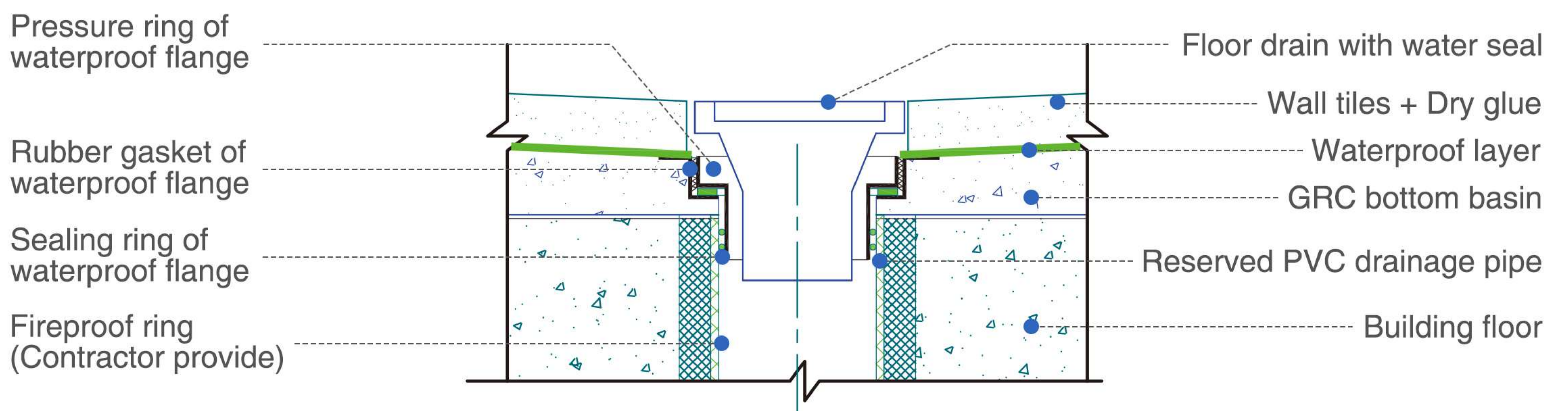


Ceiling structure



Bottom basin parts structure

Bottom drainage waterproof



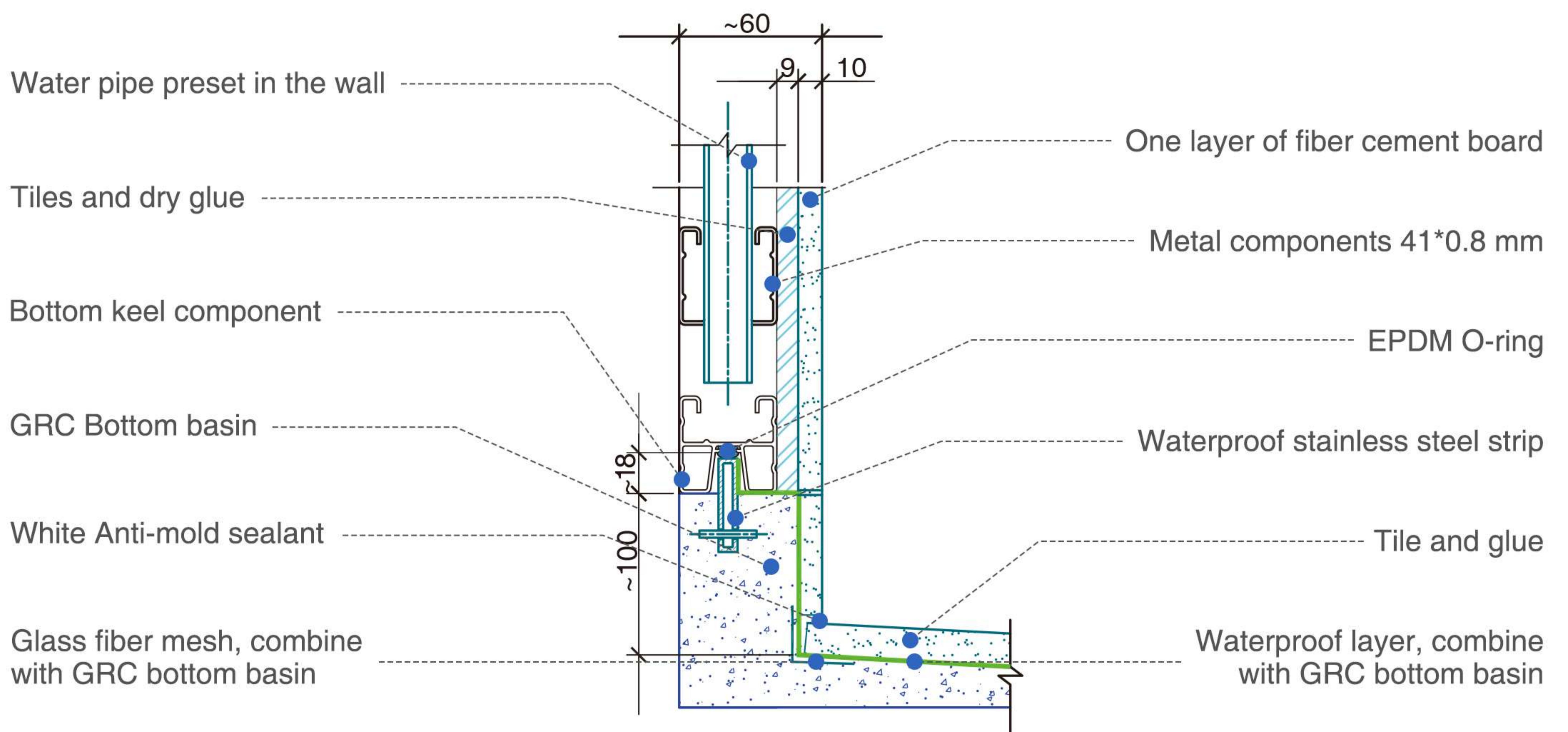
Floor drain waterproof structure

PRODUCT DESIGN DETAILS

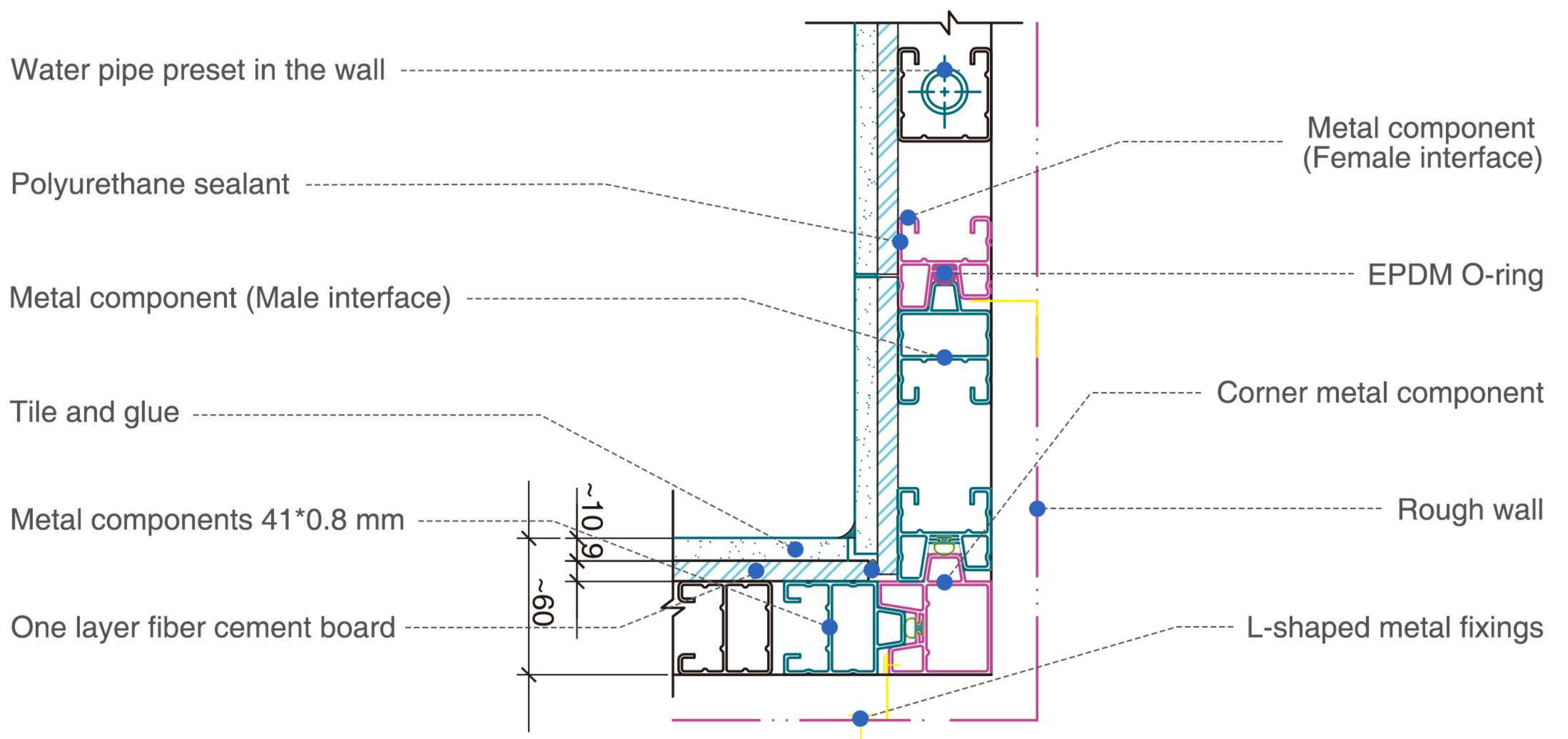
· Structural waterproof

Structural waterproofing, dry construction.

No need to do any waterproof construction on the site,
Only need to do tile caulking after the tile jigsaw is installed



Waterproof structure between the floor and wall



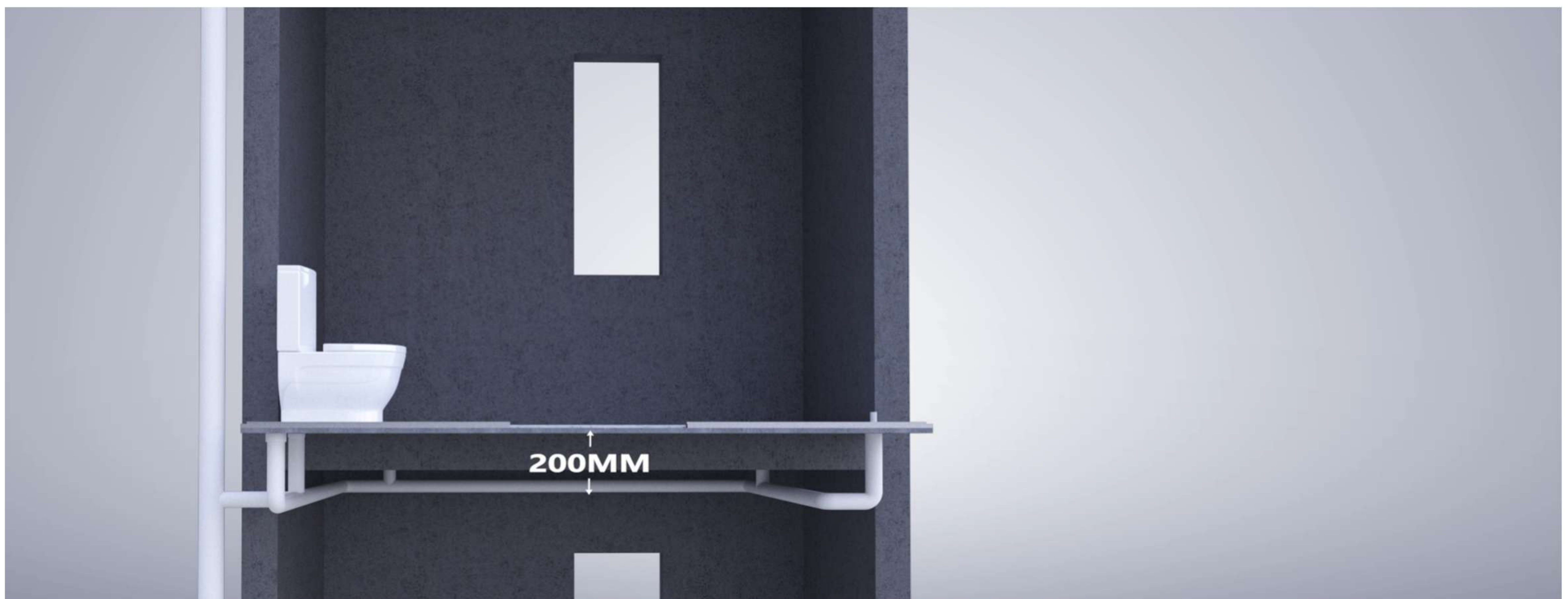
Waterproof structure between the floor and wall

SUITABLE FOR VARIOUS DRAINAGE STRUCTURES



Direct Drain System

Integrated pre-set drainage pipe, no need to raise the ground



Indirect Drain System

Ultra-thin bottom basin, low bathroom threshold, no need to make a drop plate

INSTALLATION TOOLS



Glass suction cup



Electric drill



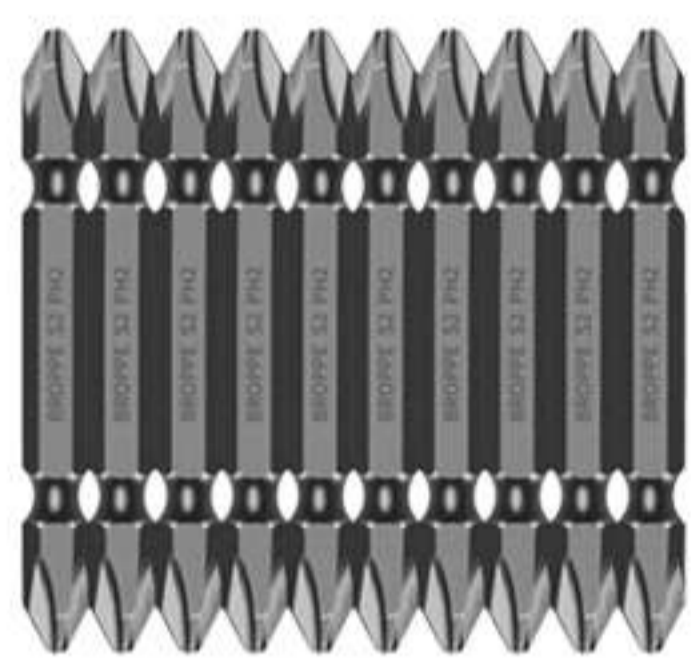
Angle Grinder



Hot melt



Allen wrench



Cross bit



Tile drill bit



Impact drill bit



Electric hammer chisel



lass hole opener



Laser level



Explosion-proof lamp



Glass glue gun



PPR pipe cutter



Utility knife



Pipe wrenches



Wrench



Rubber mallet



Pliers



Paint brush



Plug-in cable



Screwdriver



Putty knife



Wood chips



Cable reel

Site Installation Process.



1
TRANSPORT



2
POD LIFTED VIA
CRANE



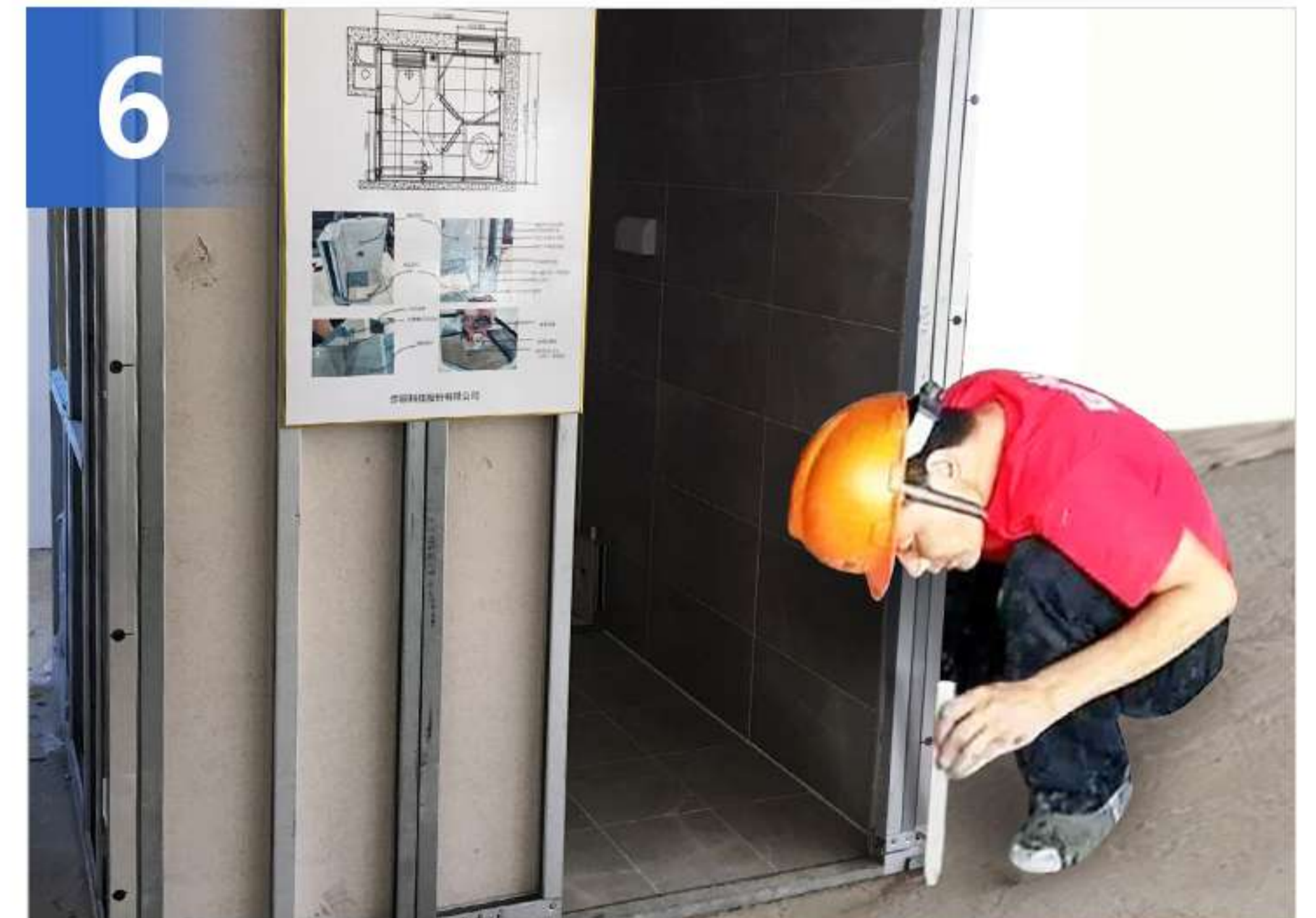
3
POD LANDING ON
PLATFORM



4
POD MOVED INTO
POSITION VIA



5
POD PLACED AND
UNWRAPPED



6
CALIBRATION AND
LEVELING



7
PIPE CONNECTION



8
EXTERIOR SHEETED
WITH PLASTERBOARD

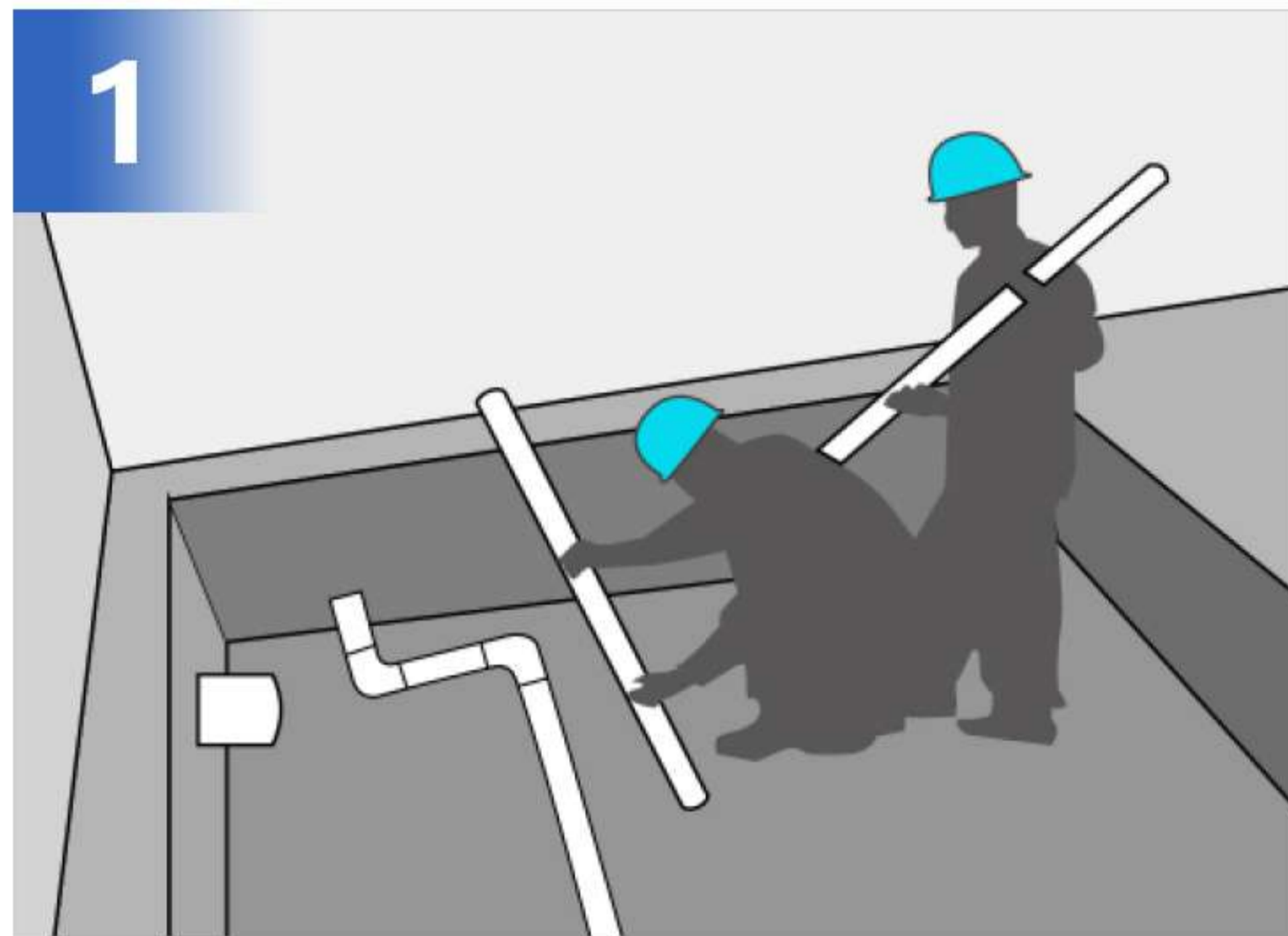


9
FINISHED PRODUCT
IN-SITE

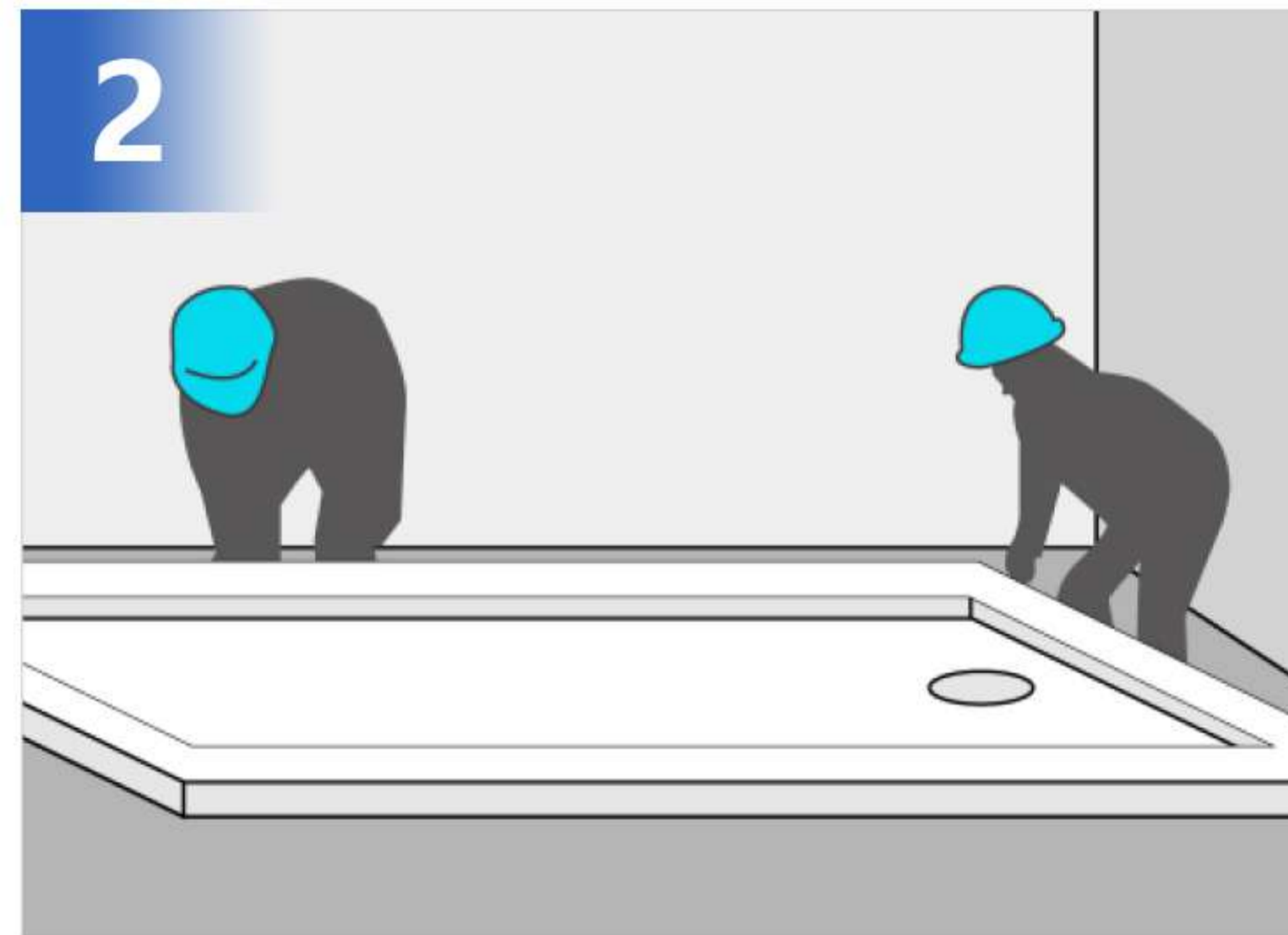
ON-SITE INSTALLATION

2 WORKERS / 4 HOURS / 9 STEPS

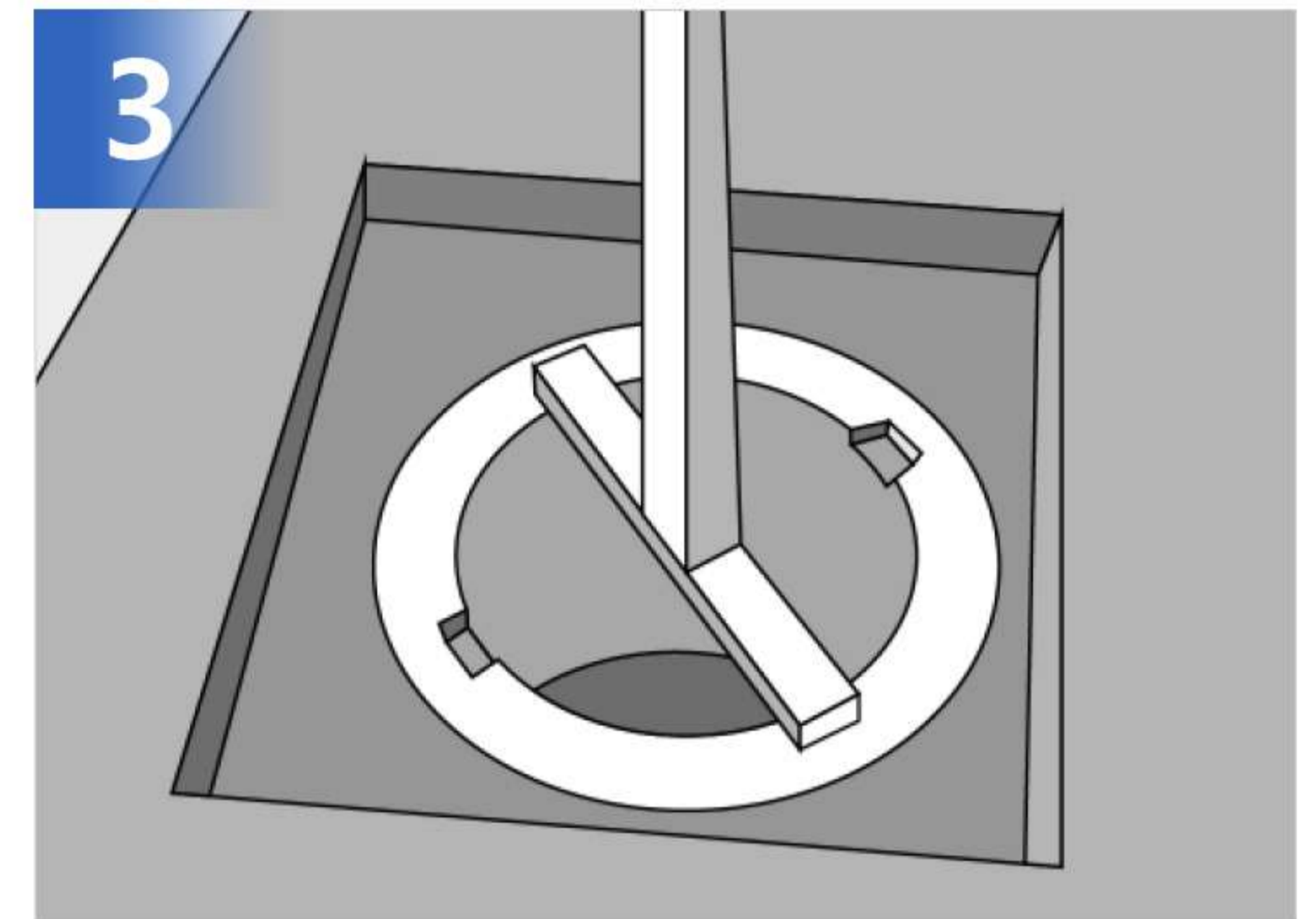
NOTE: PLEASE REFER TO THE INSTALLATION MANUAL FOR MORE DETAILS



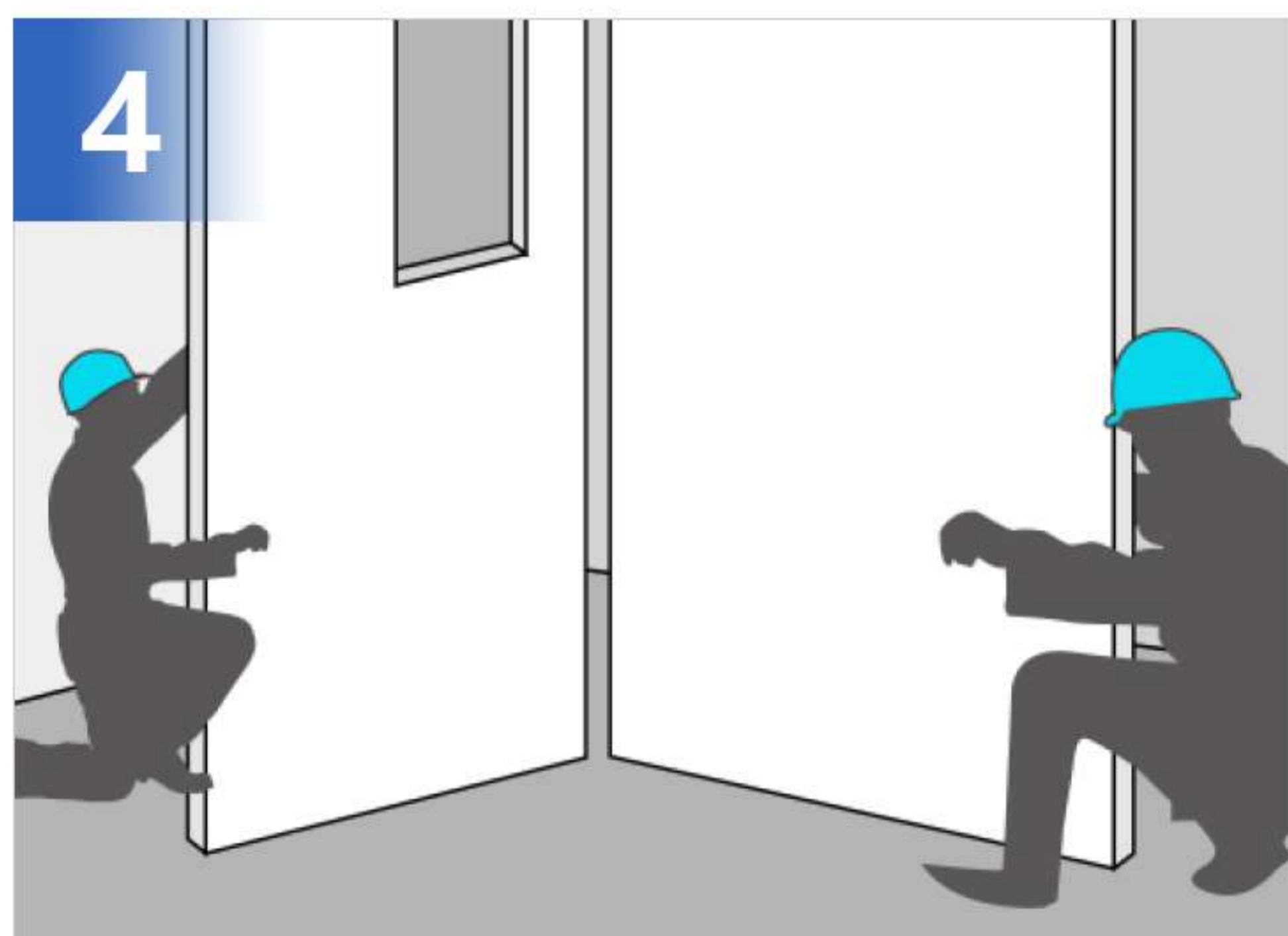
1
Install prefabricated drain pipe



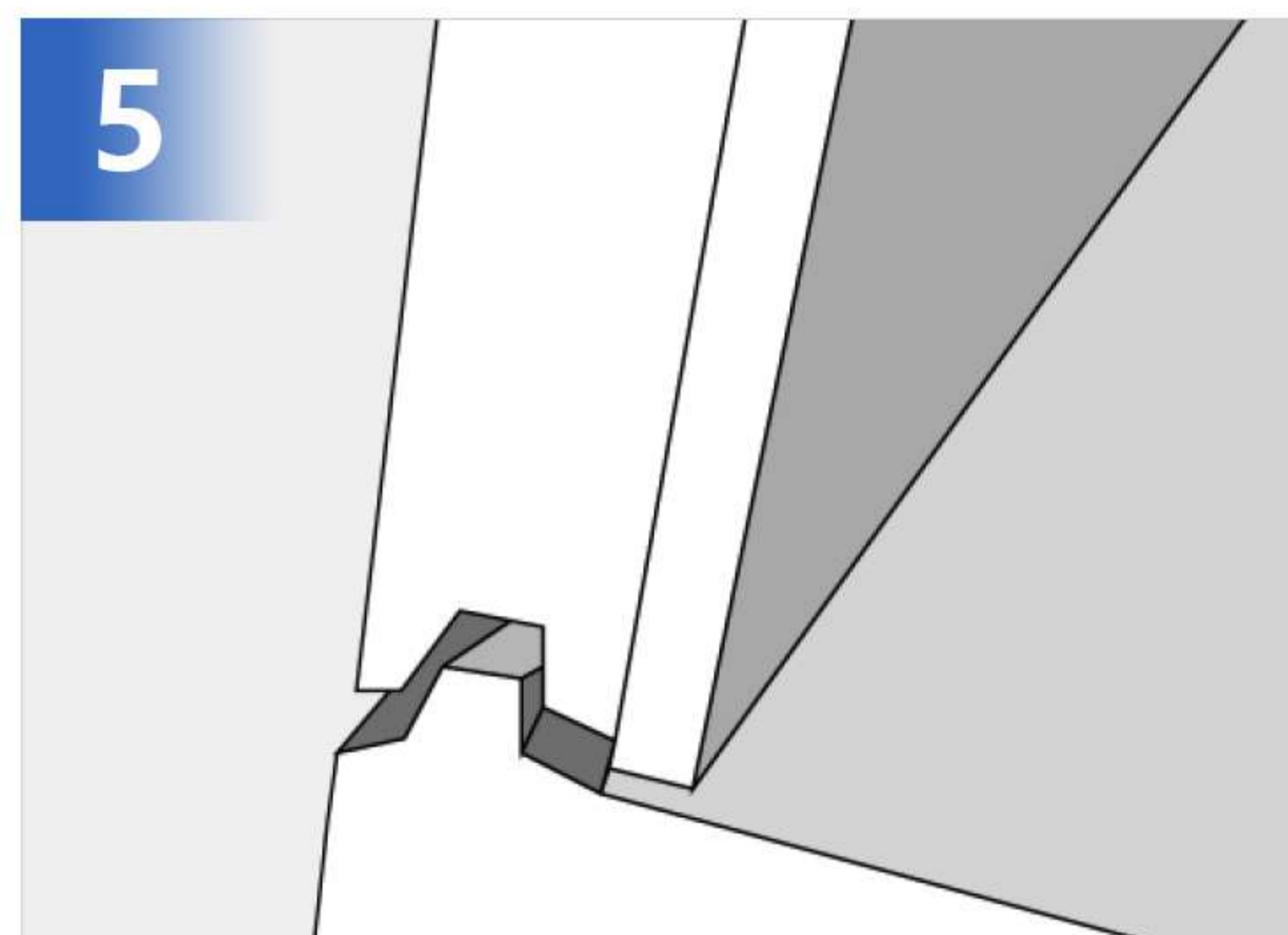
2
Install bottom basin



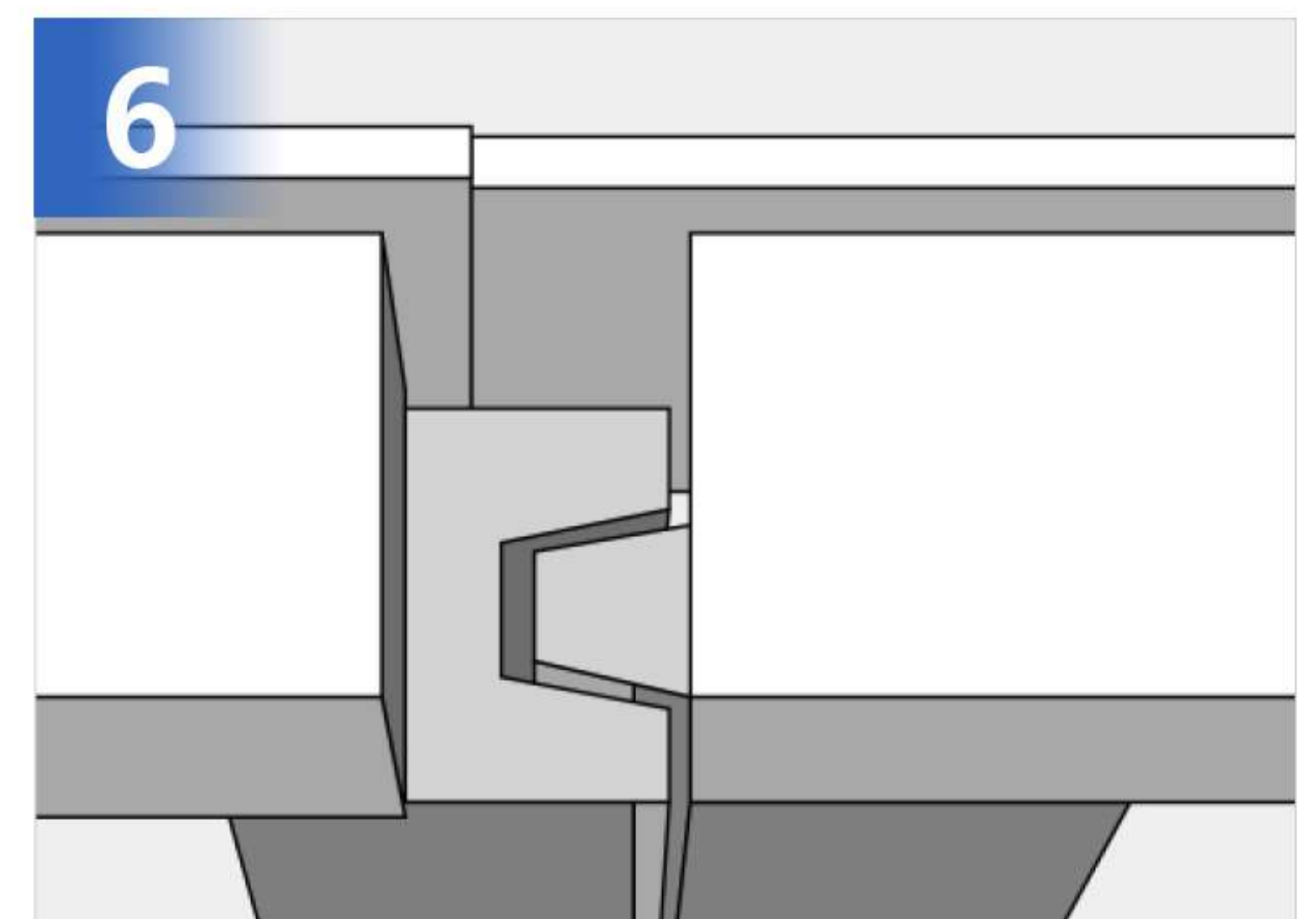
3
Install Sally's waterproof flange



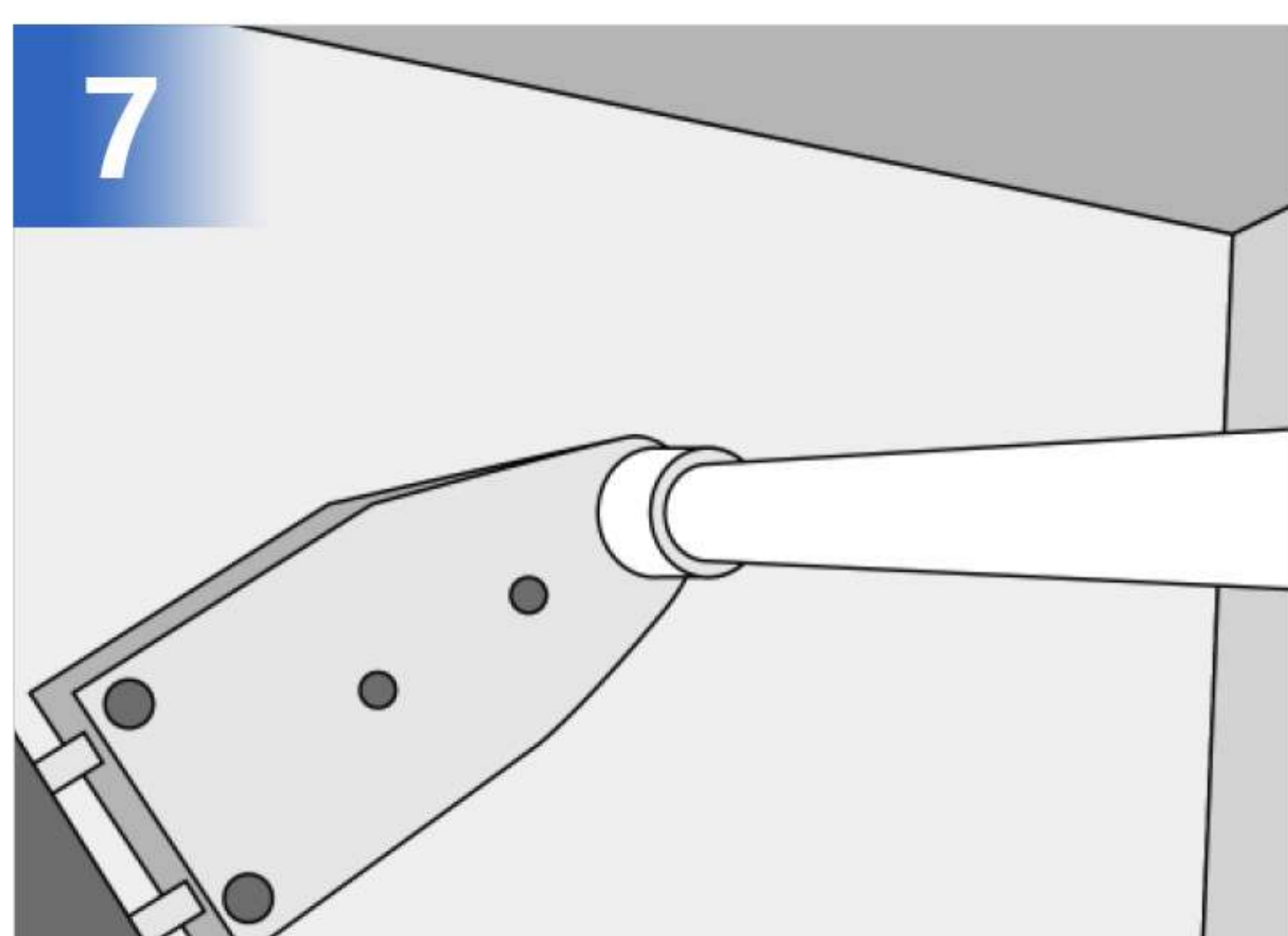
4
Install wall panel



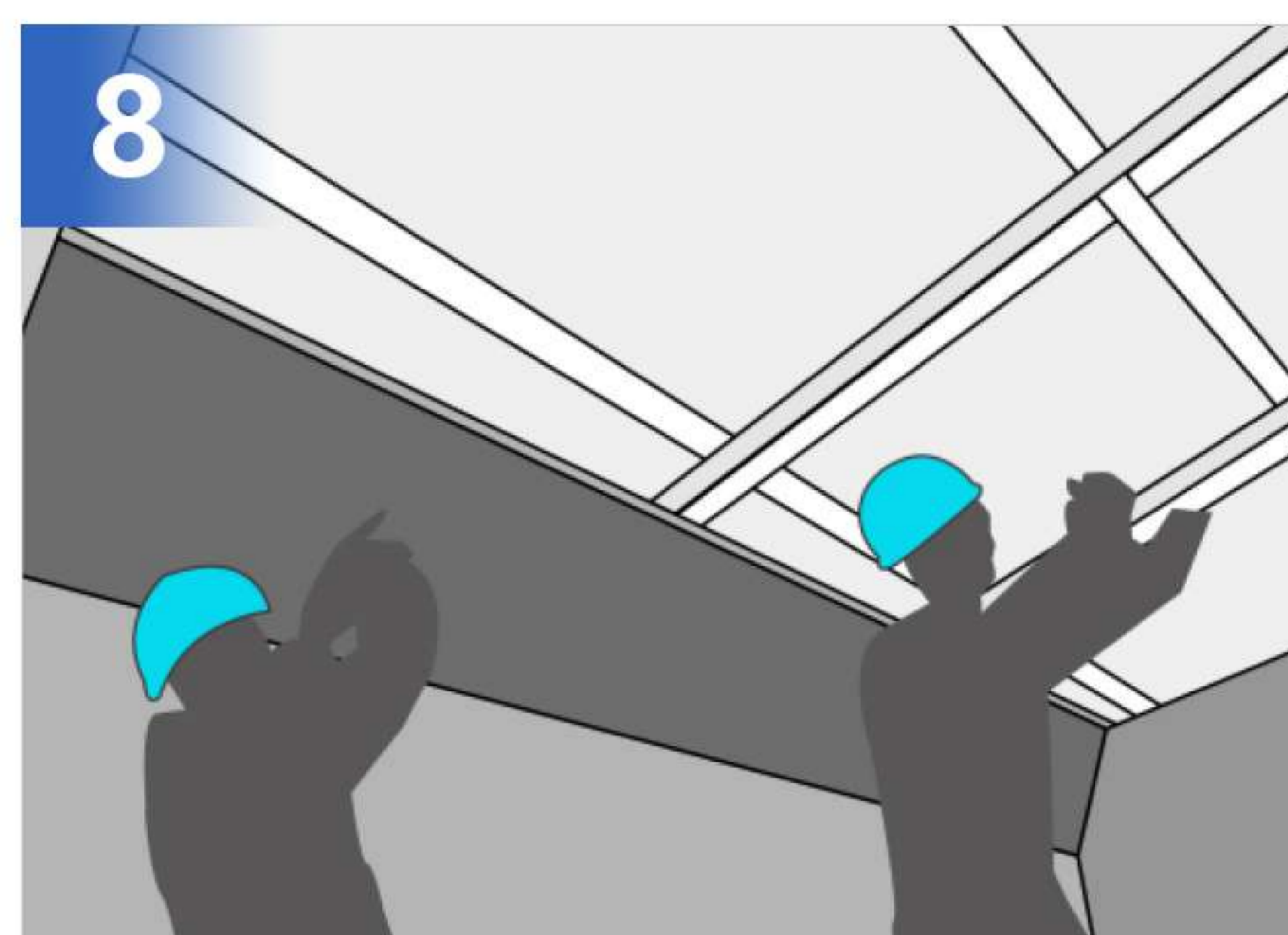
5
Ceiling waterpipe installation



6
Skeleton and ceiling installation



7
Clapboard installation by third arty (FC board available)



8
Gap sealing between wallpanel and bottom basin



9
Gap sealing between wall panels

SALLY[®]

SALLY TECHNOLOGY CO.,LTD

Nanlang industrial park,Nanglang town,
Zhongshan city,Guangdong,China

Cel/Wechat: +86 159 172 55521

Whatsapp: +86 159 145 65002

E-mail: info@sallygroup.cn

www.sallygroups.com